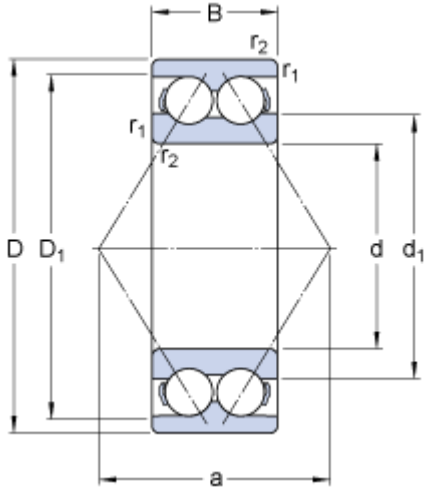


3319 A

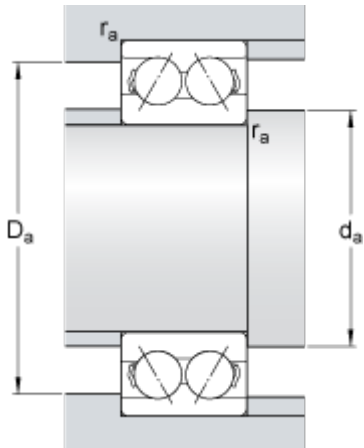
SKF Explorer

Dimensions



d	95	mm
D	200	mm
B	77.8	mm
d ₁	127.07	mm
D ₁	175.5	mm
r _{1,2}	min. 3	mm
a	127	mm

Abutment dimensions



d _a	min. 109	mm
D _a	max. 186	mm
r _a	max. 2.5	mm

Calculation data

Basic dynamic load rating	C	240	kN
Basic static load rating	C ₀	216	kN
Fatigue load limit	P _u	7.5	kN
Reference speed		3200	r/min
Limiting speed		3200	r/min
Calculation factor	k _r	0.07	
Calculation factor	e	0.8	
Calculation factor	X	0.63	
Calculation factor	Y ₀	0.66	

Calculation factor	Y_1	0.78
Calculation factor	Y_2	1.24

Mass

Mass bearing		11	kg
--------------	--	----	----
